



KEURIG®
Premium Coffee Systems



USE & CARE GUIDE

B140 SINGLE-CUP BREWING SYSTEM BREWING EXCELLENCE ONE CUP AT A TIME™

Please read and save these instructions.

Pour des directives en français, veuillez vous reporter à la page 13.

SAFE OPERATION & USE IMPORTANT SAFEGUARDS

When using electrical appliances, basic safety precautions should be followed, including the following:

1. Read all instructions before using.
2. Do not touch hot surfaces. Use handles and knobs when available.
3. This appliance must be properly installed and located in accordance with these instructions before it is used.
4. The use of an accessory not evaluated for use with this appliance may cause injuries.
5. Do not place on or near a hot gas or electric burner, or in a heated oven.
6. Do not use outdoors.
7. To protect against electric shock, do not immerse cords, plugs, or the appliance in water or any other liquid.
8. Do not overfill the Water Reservoir with water.
9. Use **only water** in this appliance! Do not put any other liquids or foods in the Water Reservoir except as instructed in the Cleaning Instructions in this guide.
10. Unplug the coffee brewer before cleaning or making repairs. Allow to cool before putting on or taking off parts and before cleaning the appliance.
11. For best operation, plug the appliance into its own electrical outlet on a dedicated circuit to prevent flickering of lights, blowing of fuses or tripping a circuit breaker.
12. Do not operate any appliance with a damaged cord or plug or after the appliance malfunctions or is damaged in any manner. Contact Keurig Customer Service to arrange for replacement or repair.
13. Do not let the cord hang over the edge of the table or counter, or touch hot surfaces.
14. To disconnect, press the Power Button on the top of the Brewer to 'OFF' status and then remove the plug from the wall outlet.
15. Close supervision is necessary when any appliance is used by or near children.
16. Do not lift the Handle to open the Lid of the Brewer while brewing is in progress.
17. Always keep the Water Reservoir Cover on the Water Reservoir unless you are refilling it.
18. This appliance is equipped with a power cord having a grounding wire with a grounding plug. The appliance must be grounded using a 3-hole properly grounded outlet. In the event of an electrical short circuit, grounding reduces the risk of electrical shock.
19. If the outlet is a standard 2-prong wall outlet, it is your personal responsibility and obligation to have it replaced with a properly grounded 3-prong wall outlet.
20. Do not, under any circumstances, cut or remove the third (ground) prong from the power cord or use an adapter.
21. Consult a qualified electrician if the grounding instructions are not completely understood, or if doubt exists as to whether the appliance is properly grounded.
22. Do not use the appliance for other than its intended use.

**SAVE THESE
INSTRUCTIONS.**

CAUTION: There are two sharp needles that puncture the K-Cup® portion pack, one above the K-Cup® Holder and the other in the bottom of the K-Cup® Holder.

To avoid risk of injury, do not put your fingers in the K-Cup Chamber.

CAUTION: There is extremely hot water in the K-Cup® Holder during the brew process.

To avoid risk of injury, do not lift the Handle or open the K-Cup® Chamber during the brew process.

THIS PRODUCT IS FOR **COMMERCIAL USE ONLY.**

If an extension cord is used, (1) the marked electrical rating of the cord set or extension cord should be at least as great as the electrical rating of the appliance, (2) the cord should be arranged so that it will not drape over the countertop or tabletop where it can be pulled on by children or tripped over unintentionally and (3) the extension cord must include a 3-prong grounding plug.

WARNING: This product contains chemicals, including lead, known to the State of California to cause cancer, birth defects or other reproductive harm.

	WARNING RISK OF FIRE OR ELECTRIC SHOCK DO NOT OPEN	
<p>WARNING: TO REDUCE THE RISK OF FIRE OR ELECTRIC SHOCK, DO NOT REMOVE THE BOTTOM COVER. NO USER SERVICEABLE PARTS ARE INSIDE. REPAIR SHOULD BE DONE BY AUTHORIZED SERVICE PERSONNEL ONLY.</p>		

KEURIG® GOURMET SINGLE CUP BREWING SYSTEM

Model B140 Use & Care Guide

TABLE OF CONTENTS

SECTION 1

SET-UP & OPERATION

Helpful Hints	4
Unpacking	4
Features	5
Set-Up & First Brew	6

SECTION 2

CONTROLS & INDICATORS

LED Control Center	8
--------------------------	---

SECTION 3

CLEANING & MAINTENANCE

Cleaning	9
De-Scaling	9
Storage	10

SECTION 4

TROUBLESHOOTING

.....	11
-------	----

SECTION 5

WARRANTY

.....	12
-------	----

Pour des directives en français, veuillez vous reporter à la page 13.

Record your serial number here.
The serial number is located on the label on the back of the brewer.

SECTION 1

SET-UP & OPERATION

Helpful Hints

1. Keep your Brewer turned 'ON' at all times.

To brew a fresh cup of coffee or tea anytime you want, we suggest you keep your Brewer turned 'ON' all the time.

However, you can set the Brewer to automatically turn off two hours after your last brew.

Follow the [simple](#) instructions in Section 2, page 8 to make using the Brewer convenient for you.

2. For the best tasting gourmet coffee or tea, Keurig recommends using bottled or filtered water.

Water quality varies from place to place. If you notice an undesirable taste in your cup of coffee such as chlorine or other mineral taste, we recommend you consider using bottled water or water from a filtration system.

3. Plug Brewer into its own grounded outlet.

If the electric circuit is overloaded with other appliances, your Brewer may not function properly. If possible, the Brewer should be operated on its own circuit, separate from other appliances.

4. Brewing into a travel mug.

To brew into a travel mug, simply remove the Drip Tray Assembly and place the travel mug on the Drip Tray Base.

Unpacking Instructions

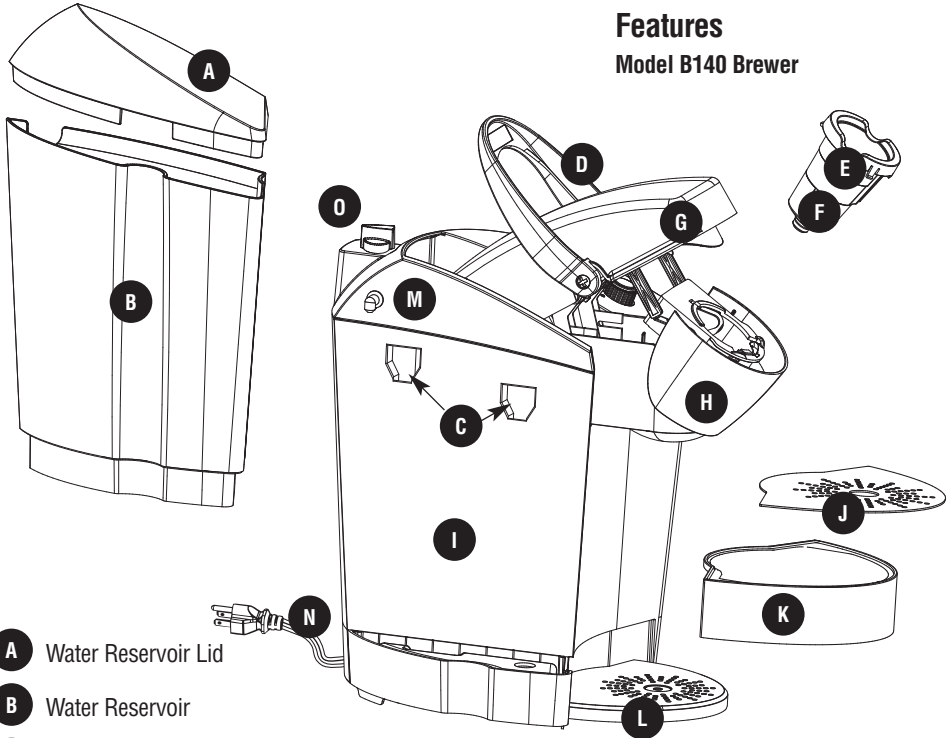
1. Place Brewer box on a large steady surface (such as a table or countertop) or on the floor. Open the box.
2. Remove the Quick Start Guide, Use & Care Guide and other literature.
3. Turn the box on its side with top of box facing you.
4. Reach into the box and grasp the plastic bag that contains the Brewer.
5. Carefully pull the plastic bag (and packaging materials) toward you and out of the box. The Brewer will still be encased in the polyfoam.
6. Remove the polyfoam packaging material.
7. Carefully place the brewer upright on a flat, steady surface.
8. Lift plastic bag off of Brewer.
9. Write the serial number of the brewer on [page 3 of this manual](#). The serial number is located on the label on the back of the brewer.
10. Place the Brewer upright on a flat, steady surface. Remove tape holding Water Reservoir in place.

We recommend you save all packing materials in case future shipping of the product is necessary.

WARNING: Keep all plastic bags away from children.

Features

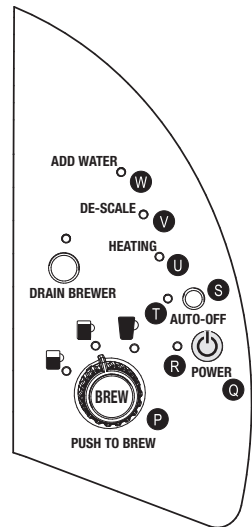
Model B140 Brewer



- A** Water Reservoir Lid
- B** Water Reservoir
- C** Water Reservoir Lock Tab Slots
- D** Handle
- E** K-Cup® Portion Pack Holder (E and F are the K-Cup Holder Assembly)
- F** Funnel
- G** Lid
- H** K-Cup® Portion Pack Assembly Housing
- I** Housing
- J** Drip Tray Plate
- K** Drip Tray
- L** Drip Tray Base
- M** Vent
- N** Power Cord
- O** Brew/Drain Selector Switch

Controls and Indicators

- P** Brew Button
- Q** Power Button
- R** Power Light (Green)
- S** Auto Off Button
- T** Auto Off Light (Green)
- U** Heating Light (Red)
- V** De-Scale Light (Amber)
- W** Add Water Light (Blue)



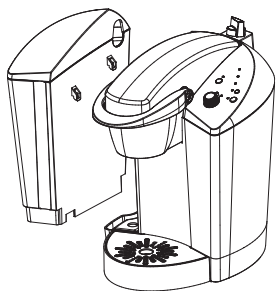
Set-Up & First Brew

IMPORTANT: You cannot use your Keurig brewer until it has been primed for its first use as set forth below.

NOTE: If Brewer has been exposed to temperatures below freezing, allow Brewer at least two hours to reach room temperature before priming. A frozen or extremely cold brewer will not prime properly and can cause damage.

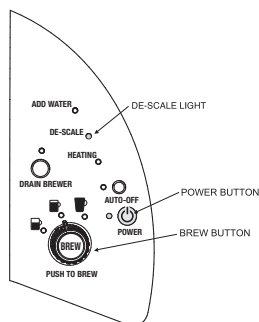
Priming your Brewer

1. Unwrap cord and plug the brewer into a grounded outlet.
2. Ensure Brew/Drain is set to Brew.
3. Place a cup or mug on the Drip Tray Plate.
4. Remove the Water Reservoir from Brewer by first removing Lid from Reservoir, then lifting Reservoir straight up and away from Brewer (may be tight). Rinse with fresh water.
5. Fill Water Reservoir with fresh water so that the water level reaches the line just below the top edge of the clear viewing area. (Be careful not to over fill.)
6. Place Water Reservoir base into the left side of the Brewer and be sure the Water Reservoir Lock Tabs engage with the Brewer. Replace Lid on Water Reservoir.



7. Press Power Button found on upper right panel of the Brewer. The green light next to the Power Button will become illuminated.
8. The green brew size selector lights on the LED Control Center will flash to indicate the Brewer needs to be primed. Make sure the handle is all the way down before continuing.

Please note, a K-Cup® should not be used for the Priming Sequence.



9. Press the flashing Brew Button.

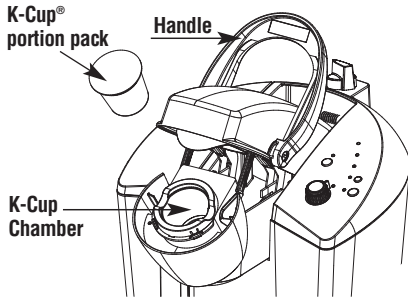
NOTE: If the Water Reservoir is empty or not in place on the Brewer, then the blue light next to 'ADD WATER' on the LED Control Center will be illuminated. The Brew Button will not be activated until water is added to the Water Reservoir.

10. The Brewer will automatically fill with water (priming it) and then the water will be heated. This will take less than 5 minutes. During the heating period the red light next to 'HEATING' on the LED Control Center will become illuminated. Once the water is heated, the red light will turn off.

NOTE: You may see small amounts of water coming from the Vent and dripping into the Water Reservoir during this and subsequent heating – this is normal.

11. Raise the handle, then press the flashing back lit blue Brew Button to start a cleansing brew, during which hot water will flow into your cup or mug. Pour the hot water into the sink.
12. The Brewer will take less than 20 seconds to refill and reheat water between brews during which time the red light next to 'HEATING' on the LED Control Center may be illuminated. When the water has heated, the red light will turn off.
13. The priming process is now complete and you are ready to brew!

Ready to Brew your First Cup



1. The green light next to the Power Button on the LED Control Center will be illuminated to indicate the Brewer is powered on.
2. Place a cup or mug on the Drip Tray Plate.
3. Lift the Handle and the K-Cup® Holder will open toward you.

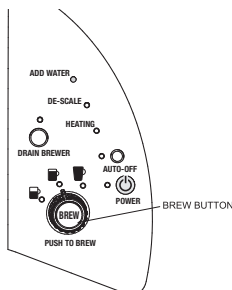
CAUTION: There are two sharp needles that puncture the K-Cup® portion pack, one above the K-Cup Holder and the other in the bottom of the K-Cup Holder. To avoid risk of injury, do not put your fingers in the K-Cup Chamber.

4. Select a K-Cup® portion pack.

NOTE: Do not remove the foil lid or puncture the K-Cup® portion pack.



5. Place a K-Cup® portion pack in the K-Cup Holder (as shown in exhibit at top of page).
6. Lower the Handle completely to close the Lid.
7. Select the brew size you want using the rotary selector switch.
8. Press the flashing blue Brew Button on the LED Control Center. This will yield a serving of the selected size; small 6 oz. medium 8 oz. and large 10 oz. nominal sizes.



NOTE: If you do not push the flashing Brew Button in 60 seconds, the Brew Button will be disabled to prevent accidental activation. Re-activate the Brew Button by raising and lowering the Handle completely, without removing the unused K-Cup®.

9. The blue Brew Button on the LED Control Center will be on while brewing.

CAUTION: There is extremely hot water in the K-Cup Holder during the brew process. To avoid risk of injury, do not lift the Handle or open the K-Cup® Chamber during the brew process.

10. There may be a short pause before the brewing process begins. The entire brew process lasts for approximately 40 to 50 seconds and ends with a burst of air to remove all liquid coffee or tea from the K-Cup®. The blue Brew Button will go off.
11. Lift the Handle to remove and dispose of the used K-Cup®. **CAUTION: K-Cup® will be hot.**
12. Enjoy your first cup of Keurig Brewed® gourmet coffee or tea!
13. The red light next to 'HEATING' on the LED Control Center may light as the water is heated for the next brew cycle. The Brewer will be ready for use in approximately 20 seconds.

NOTE: Following the brew, your Brewer will fill in preparation for the next brew. The pump will make a vibrating sound. This is normal.

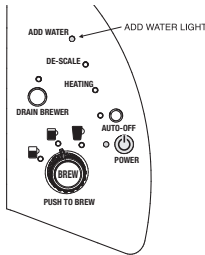
Stopping the Brew Process

If you need to stop the brewing after the process has started, press the Power Button to turn the Brewer 'OFF'. The flow of coffee or tea will stop, the heating element will shut off and the green light next to the Power Button will extinguish.

NOTE: You may get less coffee or tea in your cup during your next brew. We recommend that you perform a cleansing brew without a K-Cup® after a terminated brew or when a prime sequence has been completed. Then your NEXT brew will be the proper selected volume.

Adding Water

The LED Control Center of your Brewer will indicate when the water level in the reservoir is low or if the Water Reservoir has been removed by illuminating the blue light next to 'ADD WATER'. The Brewer will not allow you to brew when the blue 'ADD WATER' light is illuminated.



The Water Reservoir can be filled in two ways.

1. Lift off the Water Reservoir Lid and pour water directly into the Water Reservoir while it is still attached to the Brewer, then replace the Lid.
2. Remove the Water Reservoir from Brewer by first removing Lid from Reservoir, then lifting Reservoir straight up and away from Brewer. Fill with water. Place the Water Reservoir back on the Brewer and replace the Lid.
3. The blue ADD WATER light will go out 3 seconds after installing or refilling the tank. This delay is normal.

IMPORTANT: Do not remove the Water Reservoir during the brewing process.

Draining the Brewer

The Hot Water tank of the B140 can be completely drained. We recommend that the Brewer be drained if it is to be transported or stored for an extended period.

1. The Brewer must be powered on and ready to brew.
2. Empty the Cold Water Reservoir and place it back into the brewer. The add water LED will be flashing.
3. Turn the Brew / Drain selector at the rear of the brewer to the "DRAIN" position. The green Drain light will be flashing to indicate that you may start draining the brewer.

4. Press and hold the Drain button. Water will start to flow from the vent nozzle into the Water Reservoir. It will continue to flow for as long as the button is depressed. Flow of water stops when the drain button is released.

CAUTION: The water may be very hot!

NOTE: The process to drain a Hot Water Tank from idle state takes about a minute.

5. Release the Drain button, when the flow of water stops. The brewer's internal hot water tank is now empty.
6. Turn the valve to the 'BREW' position and turn off the brewer.

Brewing Hot Water

Your Brewer is able to produce a cup of hot water for making hot chocolate, for use in cooking, for making soups, etc. Simply raise and lower the handle on the Brewer without adding a K-Cup® portion pack. The blue brew button light will flash... Be sure to have a mug or cup on the Drip Tray, select a brew size and then press the Brew Button.

If you are experiencing any problems with your Brewer, please contact Customer Service at 1-888-CUP-BREW (287-2739).

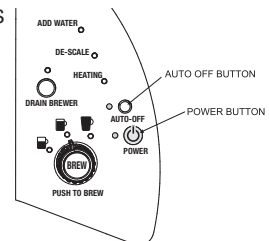
SECTION 2 CONTROLS & INDICATORS

LED Control Center

Activating the Auto off Timer Feature

To set the Brewer to turn off two hours after the last brew.

- a. Press the Power Button to turn on the Brewer.
- b. Press the black button above the Power Button to turn the Auto-Off Timer feature on. The green light next to 'AUTO OFF' will become illuminated. When the Auto-Off Timer is enabled, your Brewer will automatically turn off two hours after your last brew.
- c. To turn off the Auto-Off Timer, simply press the black button again and the green light next to 'AUTO OFF' will turn off.



SECTION 3

CLEANING & MAINTENANCE

Cleaning External Parts

Regular cleaning of the Brewer's external components is recommended.

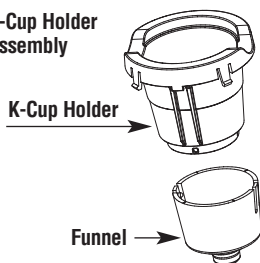
1. Never immerse the base unit in water or other liquids. The Housing and other external components may be cleaned with a soapy, damp, non-abrasive cloth.
2. The Drip Tray can accumulate up to 230 ml (8 oz) of overflow. The Drip Tray and Drip Tray Plate should be periodically inspected and rinsed clean. To remove the Drip Tray Assembly, simply slide it toward you, keeping it level at all times to avoid spilling. The Drip Tray and Drip Tray Plate are dishwasher safe.

Cleaning the K-Cup® Portion Pack Holder Assembly

1. Cleaning the Parts

The K-Cup® Holder Assembly is dishwasher safe. To remove from the Brewer, open the cover by lifting the Handle. Grasp the top of the K-Cup® Holder with one hand while pushing up on the bottom of the K-Cup® Holder from underneath with the other until it releases. After cleaning, align the K-Cup® Holder with the opening using the two front ribs as a guide and snap into place from the top.

K-Cup Holder Assembly



2. Cleaning the Funnel

The Funnel can be removed from the K-Cup® Holder by pulling on it until it snaps off. The Funnel is dishwasher safe. To replace it just snap it back onto the K-Cup® Holder Assembly.

3. Cleaning the Exit Needle

The Exit Needle is located on the inside bottom of the K-Cup Holder Assembly. Should a clog arise due to coffee grinds, it can be cleaned

using a paper clip or similar tool. Remove K-Cup® Holder, insert the paper clip into the Needle to loosen the clog and remove it. The K-Cup® Holder is dishwasher safe.

CAUTION: There are sharp needles that puncture the K-Cup above the K-Cup Holder and in the bottom of the K-Cup Holder. To avoid risk of injury, do not put your fingers in the K-Cup Chamber.

Cleaning the Water Reservoir and Water Reservoir Lid

The Water Reservoir Lid should be cleaned with a damp soapy non-abrasive cloth. Lid should **not** be put into the dishwasher.

The Water Reservoir can be placed into the dishwasher for cleaning or can be cleaned with soapy water and rinsed thoroughly.

Do not dry the inside of the Water Reservoir with a cloth as lint may remain.

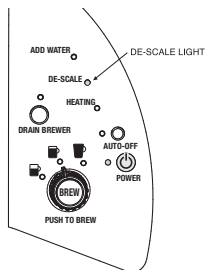
CAUTION: Please rinse the Water Reservoir thoroughly after cleaning to ensure that no cleaners or cleaning solutions remain in this area as they may contaminate the water supply in the Brewer.

De-Scaling Your Brewer

Mineral content in water varies from place to place. Depending on the mineral content of the water in your area, calcium deposits or scale may build up in your Brewer. Scale is non-toxic, but left unattended, it can hinder Brewer performance. De-scaling your Brewer helps maintain the heating element, and other internal parts of the Brewer that come in contact with water.

The Brewer should be de-scaled every 6 months to ensure optimal performance. It is possible for calcium deposits to build up faster, making it necessary to de-scale more often.

This Brewer is equipped with sensors to detect when scale buildup is interfering with the performance of the Brewer. When this is detected, the amber light next to 'DE-SCALE' will be illuminated.



NOTE: The Brewer will continue to function even when the amber 'DE-SCALE' light is illuminated. **However, if you do not de-scale soon after it is displayed, continued scale build-up could damage the Brewer.** If this occurs, the amber light next to 'DE-SCALE' will begin to blink to alert you to the potential damage to the Brewer if you do not de-scale immediately.

You should promptly de-scale using the procedures outlined below once the 'DE-SCALE' light illuminates on the LED Control Center.

De-Scaling

a. PREPARE

Step 1: Make sure you have at least 48 ounces (1.4 L) of undiluted white vinegar on hand. You will also need an empty sink and a ceramic cup (do not use a paper cup.)

Step 2: Empty the water in the Water Reservoir.

b. FILL AND CLEAN

Step 1: Pour the white vinegar into the Water Reservoir and fill it to the line just below the top edge of the clear viewing area.

Step 2: Place a ceramic cup in the Drip Tray and run a brew cycle. **DO NOT USE A K-CUP® portion pack** just press the Brew Button. Pour the contents of the cup into the sink.

Step 3: Repeat the brew process until the "add water" LED is ON (Water Reservoir is empty), pouring the contents of the cup into the sink after each cycle. We suggest using the largest brew size to speed the process. Remember to open and close the lid between each cycle so the blue Brew light will flash.

Step 4: Rinse the Water Reservoir thoroughly and fill with fresh water.

Step 5: Now let the Brewer stand for 4 hours

while still on. (The Auto-Off feature should be turned off).

c. RINSE

Step 1: Now perform a drain process.

Step 2: Empty and re-fill the water reservoir with fresh water.

Step 3: Re-prime the brewer and re-fill the water reservoir.

Step 4: Place a ceramic cup on the Drip Tray and run a regular brew cycle without using a K-Cup®. Pour the contents of the cup into the sink. (remember, the hot water tank still has white vinegar in it).

Step 5: Repeat the brew process, without K-Cups® until the Water Reservoir is empty, pouring the contents of the cup into the sink after each cycle. We suggest using the largest brew size to speed the process. Remember to open and close the lid between each cycle so the blue Brew light will flash.

Step 6: You may need to perform additional rinse cycles if you notice any residual taste.

NOTE: If the amber 'DE-SCALE' light is still illuminated on the LED Control Center after completing the procedure, repeat the de-scaling procedure above.

Storage

Empty the Water Reservoir and drain the brewer before storing and take care to ensure that you store your Brewer in a safe and frost free environment. It is suggested to store your brewer in the upright position. If you store the Brewer in a cold environment, you run the risk of water freezing inside the Brewer and causing damage. When you prepare to use it after storage, we recommend rinsing the Water Reservoir with fresh water and running three cleansing brews without a K-Cup®. If you plan to move your Brewer to a different location, turn the Brewer off, unplug it, empty the Water Reservoir and drain the brewer. If your Brewer has been in an environment below freezing, please be sure to let it warm to room temperature for 2 hours before using. If the brewer is going to be exposed to freezing temperatures the hot water tank should be drained (see Section 1, page 8).

SECTION 4

TROUBLESHOOTING

SITUATION

SOLUTION

Brewer does not have power

- Plug Brewer into an independent outlet.
- Check to be sure that it is plugged in securely.
- Plug into a different outlet.
- Reset the power outlets' circuit breaker if necessary.
- Make sure that the Power Button has been turned on and the power light is illuminated.

Brewer will not brew when used for the first time

- The Brewer must be primed for use by filling the internal hot water tank before the first brew. All brew size LED's will be flashing on the LED Control Center. (refer to page 6)
- Brew/ Drain switch must be at Brew position
- If Brewer is cold/frozen, wait for two hours for it to reach room temperature before powering on.

Brewer will not brew

- Brew/ Drain switch must be at Brew position
- After placing the K-Cup® portion pack in the K-Cup Holder, make sure that the Handle is pushed all the way down securely and the back lit blue Brew Button on the LED Control Center is flashing.
- If the blue light next to 'ADD WATER' on the LED Control Center is illuminated, add water to Water Reservoir or make sure the Water Reservoir is seated properly in its base.
- If the blue light next to 'ADD WATER' on the LED Control Center continues to be on even after refilling, contact Customer Service at 1-888-CUP-BREW, (1-888-287-2739).

Brewing a partial cup

- If a prime sequence has been performed, without a cleansing brew, the first cup may be "oversized". The next cup brewed will be brewed to the proper selected size.
- The Exit Needle may be clogged. (refer to page 9).
- Clean K-Cup® Holder if necessary and rinse under faucet. (refer to page 9).
- A partial drain process may have occurred. The brewer will brew the next cup at the selected size.
- The Water Reservoir may have been removed during brewing. Replace the Water Reservoir and perform a cleansing brew.
- If the amber 'DE-SCALE' light is illuminated, descale the Brewer (refer to page 9).
- If you have repeated the descale procedure on your Brewer two times and the light is still on, contact Customer Service at 1-888-CUP-BREW, (1-888-287-2739).

My brewer shuts off automatically

- Check to make sure that the Auto Off Timer feature has not been set. If the green light next to 'AUTO OFF' on the LED Control Center is illuminated, press the black button to turn off the Auto Off Timer feature.

Drain process notes:

- Drain / Brew Valve turned during a brew cycle: If this occurs, the brewing cycle is immediately stopped. Recovery: The brew that immediately follows may provide an improper volume, so perform a brew without a K-Cup®. The next brew will be of the proper selected size.
- Drain / Brew Valve turned to 'DRAIN' and back to 'BREW': The brewer is smart and knows if the Drain button has been pressed. If it has not been pressed, when the valve is turned back to 'BREW', the brewer will not require a Prime.
- Drain / Brew Valve turned to 'DRAIN' and Drain button pushed, but tank not emptied. To brew, a prime will be required and then perform a cleansing brew.

If any problems persist, contact Customer Service at 1-888-CUP-BREW (287-2739).

SECTION 5

WARRANTY

Keurig warrants that your Keurig B140 Brewer will be free of defects in materials or workmanship under normal use for one year from the date of purchase. Keurig will, at its option, repair or replace the Brewer without charge upon its receipt of proof of the date of purchase. If a replacement Brewer is necessary to service this warranty, the replacement Brewer will carry the remaining warranty of the original product. Keurig will cover all shipping costs for authorized returns.

This warranty only applies to brewers operated in the United States and Canada. This warranty gives you specific legal rights, and you may also have other rights that vary from state to state and, in the case of Canada, from Province to Province.

What is not covered by the Limited Warranty?

THIS WARRANTY DOES NOT COVER CONSEQUENTIAL OR INCIDENTAL DAMAGES SUCH AS PROPERTY DAMAGE AND DOES NOT COVER INCIDENTAL COSTS AND EXPENSES RESULTING FROM ANY BREACH OF THIS WARRANTY, EVEN IF FORESEEABLE. Some states or Provinces do not allow the exclusion or limitations of incidental or consequential damages, so the above limitation or exclusion may not apply to you depending on the state or Province of purchase.

Nor does this warranty cover damages caused by services performed by anyone other than Keurig or its authorized service providers, use of parts other than genuine Keurig parts, or external causes such as abuse, misuse, inappropriate power supply or acts of God.

Other Limitations

THIS WARRANTY IS EXCLUSIVE AND IS IN LIEU OF ANY OTHER EXPRESS WARRANTY, WHETHER WRITTEN OR ORAL. THE DURATION OF ANY IMPLIED WARRANTIES, INCLUDING BUT NOT LIMITED TO ANY IMPLIED WARRANTIES OF MERCHANTABILITY OR FITNESS FOR A PARTICULAR PURPOSE, IS EXPRESSLY LIMITED TO THE PERIOD OF DURATION OF THIS LIMITED WARRANTY. Some states or Provinces do not allow limitations on how long an implied warranty lasts, so the above limitation may not apply to you depending on the state or the Province of purchase.

How do you obtain warranty service?

Keurig Brewers are high quality appliances and, with proper care, are intended to provide years of satisfying performance. However, should the need arise for warranty servicing, simply call Keurig Customer Service at our toll free phone number 1-888-CUP-BREW (1-888-287-2739). Please do not return your Brewer for servicing without first speaking to Keurig Customer Service to obtain an Authorization to Return number (ATR). Keurig Brewers returned without an ATR number will be returned to the sender without servicing.

Keurig, Incorporated
55 Walkers Brook Drive
Reading, MA 01867
1-888-287-2739

MANUEL D'UTILISATION ET D'ENTRETIEN

FONCTIONNEMENT ET UTILISATION SANS DANGER

RÈGLES DE SÉCURITÉ IMPORTANTES

Lorsque vous utilisez des appareils électriques, vous devriez suivre les mesures de sécurité de base suivantes :

1. Veuillez lire toutes les instructions avant l'utilisation.
2. Ne pas toucher les surfaces chaudes. Utiliser les poignées.
3. Avant d'être utilisé, cet appareil doit être installé correctement aux présentes directives.
4. L'utilisation d'un accessoire qui n'a pas été testé avec cet appareil peut causer des blessures.
5. Éviter le contact ou la proximité de l'appareil avec un élément électrique ou un brûleur à gaz. Éviter également de placer l'appareil à l'intérieur d'un four chaud.
6. Ne pas utiliser à l'extérieur.
7. Pour éviter les risques de chocs électriques, ne pas immerger la fiche, le cordon d'alimentation ou l'appareil dans l'eau ou dans tout autre liquide.
8. Ne pas trop remplir le réservoir d'eau.
9. N'utiliser **que de l'eau** dans cet appareil! Ne verser aucun autre liquide ou aliment dans le réservoir d'eau à l'exception des produits mentionnés dans les directives de nettoyage du présent manuel.
10. Débrancher la cafetière avant de la nettoyer ou de la réparer. Laisser l'appareil refroidir avant d'ajouter ou d'enlever des pièces et avant de le nettoyer.
11. Pour une utilisation optimale, brancher l'appareil dans une prise de courant séparée sur un circuit spécialisé pour éviter que les lumières vacillent, que les fusibles sautent ou que les disjoncteurs se déclenchent.
12. Ne jamais utiliser un appareil dont la fiche ou le cordon d'alimentation est endommagé ou un appareil qui présente un trouble de fonctionnement ou qui a été endommagé.
13. Ne pas laisser le cordon d'alimentation pendre d'une table ou d'un comptoir ni entrer en contact avec une surface chaude.
14. Pour débrancher la cafetière, appuyer sur le bouton de mise en marche situé sur le dessus de la cafetière pour la mettre en position 'OFF' et retirer le cordon de la prise.
15. Ne jamais laisser des enfants utiliser la cafetière ni rester à proximité sans surveillance.
16. Ne pas soulever la poignée pour ouvrir le couvercle de la cafetière durant l'infusion.
17. Toujours laisser le couvercle sur le réservoir d'eau, sauf lors du remplissage.
18. L'appareil est équipé d'un cordon d'alimentation muni d'un conducteur et d'une prise de mise à la terre. L'appareil doit être mis à la terre en utilisant une prise de courant à contact de mise à la terre à trois trous. En cas de court-circuit, la mise à la terre réduit les risques de chocs électriques.
19. Si la prise de courant est une prise de courant murale standard à deux trous, le propriétaire a l'obligation et la responsabilité de la faire remplacer par une prise de courant de mise à la terre à trois trous.
20. Il ne faut en aucun cas couper ou enlever la troisième broche (mise à la terre) du cordon d'alimentation, ni utiliser un adaptateur.
21. Consulter un électricien qualifié si les instructions sur la mise à la terre ne sont pas parfaitement comprises ou en cas de doutes sur la mise à la terre de l'appareil.
22. Ne pas utiliser l'appareil pour une autre fin que celle pour laquelle il a été conçu.

**CONSERVER
CE MANUEL.**

ATTENTION : Le godet K-Cup^{MC} est perforé par deux aiguilles, une au-dessus du support à K-Cup^{MC} et l'autre au fond du support à K-Cup^{MC}. Pour éviter tout risque de blessure, ne pas mettre les doigts dans le compartiment de la K-Cup.

ATTENTION : L'eau se trouvant dans le support à K-Cup^{MC} durant l'infusion est **extrêmement chaude**. Pour éviter tout risque de blessure, ne pas soulever la poignée ni ouvrir le compartiment de la K-Cup^{MC} durant l'infusion.

CE PRODUIT EST DESTINÉ À UNE **UTILISATION COMMERCIALE SEULEMENT**.

Si une rallonge est utilisée, (1) les caractéristiques électriques inscrites sur la rallonge doivent égaler ou excéder celles de l'appareil, (2) le cordon doit être fixé de façon à ce qu'il ne pende pas d'une table ou d'un comptoir pour éviter qu'un enfant puisse le saisir ou que quelqu'un trébuche, et (3) la rallonge doit être munie d'une prise de mise à la terre à trois broches.

AVERTISSEMENT



RISQUE D'INCENDIE ET DE CHOCS ÉLECTRIQUES. NE PAS OUVRIR



AVERTISSEMENT : POUR RÉDUIRE LES RISQUES D'INCENDIE ET DE CHOCS ÉLECTRIQUES, NE PAS RETIRER LE COUVERCLE INFÉRIEUR. CET APPAREIL NE CONTIENT AUCUNE PIÈCE RÉUTILISABLE. LES RÉPARATIONS NE DEVRAIENT ÊTRE EFFECTUÉES QUE PAR UN TECHNICIEN DE SERVICE AGRÉÉ.

SYSTÈME D'INFUSION GOURMET UNE TASSE À LA FOIS DE KEURIG®

Manuel d'utilisation et d'entretien du modèle B140

TABLE DES MATIÈRES

SECTION 1	
RÉGLAGES ET FONCTIONNEMENT DE LA CAFETIÈRE	
Conseils utiles	15
Déballage de la cafetière	15
Caractéristiques	16
Réglages et première infusion	17
SECTION 2	
COMMANDES ET VOYANTS	19
Afficheur de messages à DEL	19
SECTION 3	
NETTOYAGE ET ENTRETIEN	20
Nettoyage	20
Détartrage	20
Entreposage	21
SECTION 4	
DÉPANNAGE	22
SECTION 5	
GARANTIE	23

Veillez inscrire le numéro de série de votre cafetière ici. Ce numéro se trouve sur l'étiquette à l'arrière de votre cafetière.

SECTION 1

RÉGLAGES ET FONCTIONNEMENT DE LA CAFETIÈRE

Conseils utiles

1. Laissez votre cafetière en marche en tout temps.

Nous vous suggérons de toujours laisser le commutateur de votre cafetière à la position 'ON'. Vous pourrez ainsi savourer une tasse de café ou de thé fraîchement infusé à tout moment.

Vous pouvez toutefois régler votre cafetière pour qu'elle s'éteigne automatiquement deux heures après la dernière infusion.

Veillez consulter les directives simples de la section 2, page 19 pour régler votre cafetière selon vos besoins.

2. Pour obtenir le meilleur café gourmet ou thé de spécialité possible, Keurig recommande l'utilisation d'eau embouteillée ou filtrée.

La qualité de l'eau varie d'un endroit à l'autre. Si votre café a un goût désagréable de chlore ou de minéraux, nous vous recommandons d'utiliser de l'eau embouteillée ou de l'eau filtrée à l'aide d'un système de filtration d'eau.

3. Branchez la cafetière dans sa propre prise mise à la terre.

Une surcharge du circuit électrique avec plusieurs appareils risque de nuire au fonctionnement de votre cafetière. Si possible, celle-ci devrait être branchée séparément des autres appareils, sur son propre circuit électrique.

4. Infusez votre café dans une tasse thermos.

Pour infuser un café dans une tasse thermos, il suffit de retirer la cuvette d'égouttage et de placer la tasse thermos sur la base de la cuvette.

Déballage de la cafetière

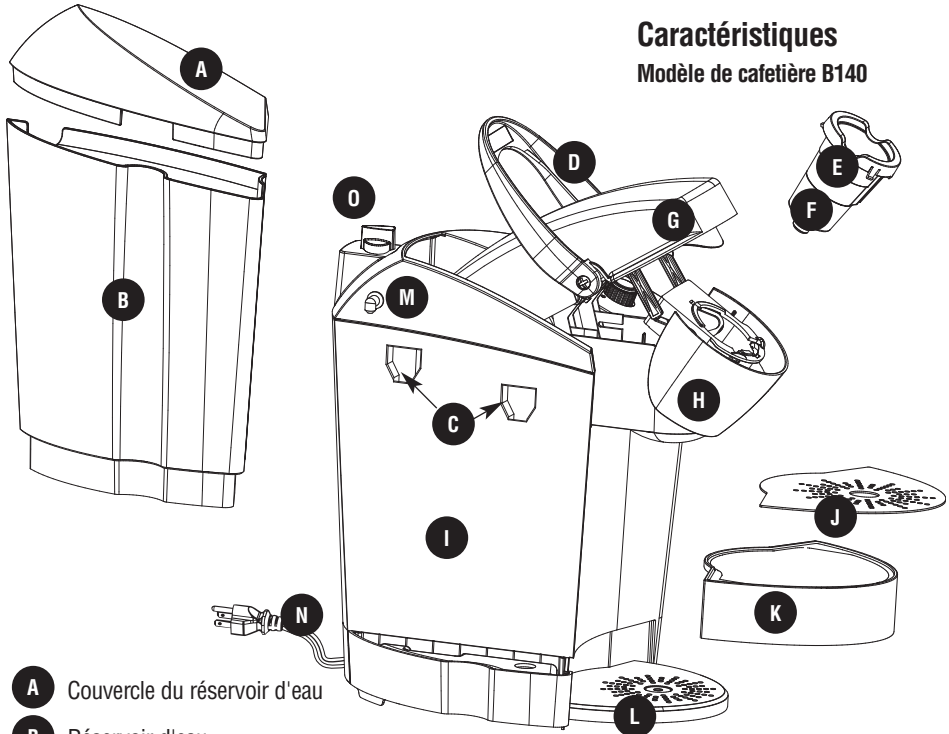
1. Placez la boîte de la cafetière sur une grande surface plane, comme une table ou un comptoir, ou sur le plancher. Ouvrez la boîte.
2. Retirez le Guide de démarrage et le Manuel d'utilisation et d'entretien ainsi que tout autre document.
3. Couchez l'emballage sur le côté, en plaçant le dessus de la boîte vers vous.
4. Ouvrez la boîte et saisissez le sac de plastique contenant la cafetière.
5. Tirez doucement le sac de plastique (et les matériaux d'emballage) vers vous pour sortir la cafetière de la boîte. La cafetière est encastrée dans le polymousse.
6. Retirez l'emballage de polymousse.
7. Placez délicatement la cafetière debout sur la surface plane et uniforme.
8. Enlevez le sac de plastique de la cafetière.
9. Inscrivez le numéro de série de votre cafetière à la page 14 du présent manuel. Ce numéro se trouve sur l'étiquette à l'arrière de votre cafetière.
10. Placez la cafetière debout sur la surface plane et uniforme. Enlevez le ruban adhésif qui maintient le réservoir d'eau en place.

Nous vous recommandons de conserver tous les matériaux d'emballage au cas où il serait nécessaire de retourner la cafetière.

AVERTISSEMENT : Gardez tous les sacs de plastique hors de la portée des enfants.

Caractéristiques

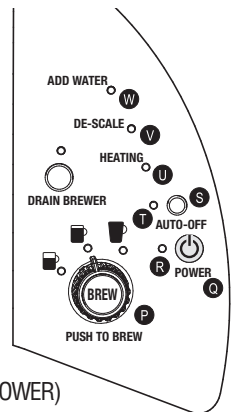
Modèle de cafetière B140



- A** Couvrete du r servoir d'eau
- B** R servoir d'eau
- C** Fentes pour languettes de verrouillage du r servoir d'eau
- D** Poign e
- E** Support   godet K-Cup^{MC} (E et F forment l'assemblage du support   K-Cup)
- F** Entonnoir
- G** Couvrete
- H** Bo tier de l'assemblage du support   godet K-Cup^{MC}
- I** Bo tier
- J** Plateau   tasse
- K** Cuvette d' gouttage
- L** Base de la cuvette d' gouttage
- M**  vent
- N** Cordon d'alimentation
- O** S lecteur infusion/vidange (BREW/DRAIN)

Commandes et voyants

- P** Bouton d'infusion (BREW)
- Q** Bouton de mise en marche (POWER)
- R** Voyant d'alimentation (vert)
- S** Bouton d'arr t automatique (AUTO-OFF)
- T** Voyant d'arr t automatique (vert)
- U** Voyant de chauffage (HEATING) rouge
- V** Voyant de d tartrage (DE-SCALE) orange
- W** Voyant Ajouter de l'eau (ADD WATER) bleu



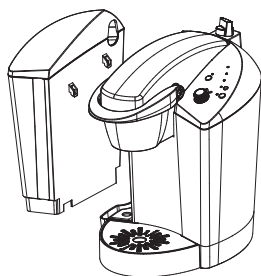
Réglages et première infusion

IMPORTANT : N'utilisez pas votre cafetière Keurig avant de l'avoir préparée pour une première utilisation, tel qu'indiqué ci-dessous.

REMARQUE : Si la cafetière a été placée dans un endroit où la température était sous le point de congélation, laissez-lui au moins deux heures pour atteindre la température ambiante avant d'effectuer un cycle de préparation. Une cafetière gelée ou très froide ne pourra pas être préparée convenablement et risque d'être endommagée.

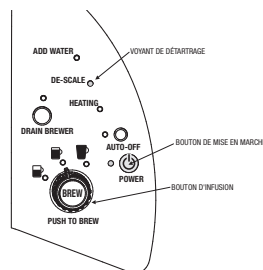
Préparation de votre cafetière

1. Déballez le cordon et branchez la cafetière dans une prise mise à la terre.
2. Assurez-vous que le sélecteur infusion/vidange (BREW/DRAIN) est à la position infusion (BREW).
3. Placez une tasse sur le plateau à tasse.
4. Enlevez le réservoir d'eau de la cafetière en retirant d'abord le couvercle du réservoir, puis en soulevant le réservoir à la verticale. Rincez à l'eau courante.
5. Remplissez le réservoir d'eau fraîche jusqu'à ce que le niveau atteigne la ligne juste en dessous de la limite supérieure de la fenêtre translucide. (Attention de ne pas trop le remplir.)
6. Remplacez la base du réservoir d'eau sur le côté gauche de la cafetière et assurez-vous que les languettes de verrouillage du réservoir s'engagent correctement dans la cafetière. Remplacez le couvercle sur le réservoir d'eau.



7. Appuyez sur le bouton de mise en marche (POWER) situé sur le panneau supérieur droit de la cafetière. La lumière verte à côté du bouton de mise en marche (POWER) s'allumera.
8. Le voyant vert de sélection du format de tasse sur l'afficheur de messages à DEL clignotera

pour indiquer que vous devez effectuer un cycle de préparation. Assurez-vous que la poignée est complètement abaissée avant de continuer. Veuillez noter que la procédure de préparation se fait sans K-Cup^{MC}.



9. Appuyez sur le bouton d'infusion (BREW) clignotant.

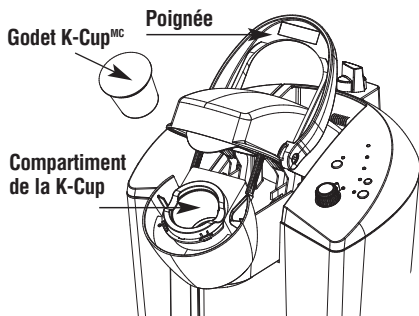
REMARQUE : Si le réservoir d'eau est vide ou mal installé, le voyant bleu Ajouter de l'eau (ADD WATER) sur l'afficheur de messages à DEL s'allumera. Le bouton d'infusion (BREW) ne peut être activé tant que de l'eau n'est pas ajoutée au réservoir.

10. La cafetière se remplit automatiquement (préparation) et l'eau est chauffée. Ce processus prend moins de cinq minutes. Durant la période de chauffage, le voyant de chauffage (HEATING) rouge de l'afficheur de messages à DEL s'allume. Lorsque l'eau est chaude, le voyant rouge s'éteint.

REMARQUE: Durant le cycle de préparation et lors des périodes de chauffage subséquentes, il est possible qu'une petite quantité d'eau s'échappe de l'évent et dégoutte dans le réservoir. C'est normal.

11. Soulevez la poignée, puis appuyez le bouton d'infusion (BREW) rétroéclairé bleu pour lancer une infusion de nettoyage, durant laquelle de l'eau chaude coulera dans votre tasse. Jetez l'eau.
12. La cafetière se remplira et l'eau sera chauffée en moins de 20 secondes, période pendant laquelle le voyant de chauffage (HEATING) rouge peut s'allumer. Lorsque l'eau est chaude, le voyant rouge s'éteint.
13. Le cycle de préparation est maintenant terminé et la cafetière est prête à infuser!

Infusion de votre première tasse



1. Le voyant vert à côté du bouton d'infusion de l'afficheur de messages à DEL sera allumé pour indiquer que la cafetière est en marche.
2. Placez une tasse sur le plateau à tasse.
3. Soulevez la poignée, et le support à K-Cup^{MC} s'ouvrira.

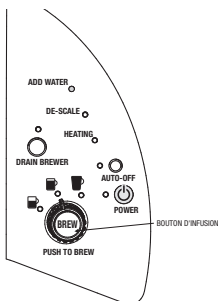
ATTENTION : Le godet K-Cup^{MC} est perforé par deux aiguilles, une au-dessus du support à K-Cup et l'autre au fond du support à K-Cup. Pour éviter tout risque de blessure, ne pas mettre les doigts dans le compartiment de la K-Cup.

4. Choisissez un godet K-Cup^{MC}.

REMARQUE : Ne percez pas le godet K-Cup^{MC} et n'enlevez pas son couvercle d'aluminium.



5. Placez un godet K-Cup^{MC} sur le support à K-Cup (tel qu'illustré au haut de la page).
6. Abaissez complètement la poignée pour fermer le couvercle.
7. Choisissez le format désiré en utilisant le sélecteur rotatif.
8. Appuyez sur le bouton d'infusion (BREW) bleu clignotant sur l'afficheur de messages à DEL. Vous obtiendrez ainsi la quantité de café ou de thé sélectionnée; petite 177 ml (6 oz) moyenne 237 ml (8 oz) et grande 296 ml (10 oz).



REMARQUE : Si vous n'appuyez pas sur le bouton d'infusion clignotant dans les 60 secondes, celui-ci se désactivera pour éviter toute infusion accidentelle. Activez de nouveau le bouton d'infusion en soulevant et en rabaisant complètement la poignée, sans retirer le godet K-Cup^{MC} inutilisé.

9. Le bouton d'infusion (BREW) bleu de l'afficheur de messages à DEL restera allumé pendant l'infusion.

ATTENTION : L'eau se trouvant dans le support à K-Cup durant l'infusion est extrêmement chaude. Pour éviter tout risque de blessure, ne pas soulever la poignée ni ouvrir le compartiment de la K-Cup^{MC} durant l'infusion.

10. Une courte pause peut précéder le début de l'infusion. Le processus complet dure environ 40 à 50 secondes et se termine par un jaillissement d'air permettant d'évacuer le café ou le thé de la K-Cup^{MC}. Le bouton d'infusion (BREW) bleu s'éteindra.
11. Soulevez la poignée, retirez la K-Cup^{MC} et jetez-la. **ATTENTION :** La K-Cup^{MC} est chaude.
12. Il ne vous reste plus qu'à savourer votre première tasse de café gourmet ou de thé Keurig!
13. Le voyant de chauffage (HEATING) rouge de l'afficheur de messages à DEL peut s'allumer pendant que l'eau chauffe pour le prochain cycle d'infusion. La cafetière sera prête à être utilisée dans environ 20 secondes.

REMARQUE : Après l'infusion, l'infuseur se remplira en vue de la prochaine infusion. La pompe fera un bruit de vibration. Ce bruit est normal.

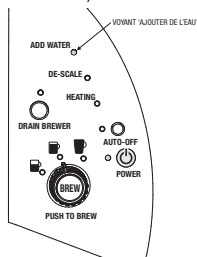
Annulation d'une infusion

Si vous devez annuler une infusion en cours de processus, appuyez sur le bouton de mise en marche (POWER) pour éteindre la cafetière. L'écoulement de café ou de thé s'arrêtera, et l'élément de chauffage de même que le voyant vert à côté du bouton de mise en marche (POWER) s'éteindront.

REMARQUE : Il est possible que vous ayez moins de café ou de thé dans votre tasse lors de la prochaine infusion. Nous vous recommandons d'effectuer une infusion de nettoyage sans K-Cup^{MC} après avoir annulé une infusion ou à la fin d'un cycle de préparation. Votre infusion SUIVANTE vous donnera ensuite la quantité de café ou de thé choisie.

Ajouter de l'eau

Lorsque le niveau d'eau du réservoir est bas ou lorsque le réservoir a été enlevé, le voyant bleu Ajouter de l'eau de l'afficheur de messages à DEL de votre cafetière s'allumera. Il est impossible de faire une infusion lorsque le voyant bleu Ajouter de l'eau (ADD WATER) est allumé.



Le réservoir d'eau peut être rempli de deux façons.

1. Enlevez le couvercle du réservoir d'eau et versez de l'eau directement dans le réservoir sans enlever celui-ci de la cafetière, puis remplacez le couvercle.
2. Enlevez le réservoir d'eau de la cafetière en retirant d'abord le couvercle du réservoir, puis en soulevant le réservoir à la verticale. Remplissez d'eau. Remplacez le réservoir d'eau sur la cafetière et remettez le couvercle.
3. Le voyant bleu Ajouter de l'eau (ADD WATER) s'éteindra 3 secondes après avoir installé ou rempli le réservoir. Ce délai est normal.

IMPORTANT : N'enlevez pas le réservoir d'eau pendant le processus d'infusion.

Vidanger la cafetière

Le réservoir d'eau chaude de la cafetière B140 peut être complètement vidangé. Nous vous recommandons de vidanger la cafetière avant de la transporter ou de l'entreposer pour une période prolongée.

1. La cafetière doit être en marche et prête à infuser.
2. Videz le réservoir d'eau froide et remplacez-le ensuite sur la cafetière. Le voyant DEL Ajouter de l'eau (ADD WATER) clignotera.
3. Tournez le sélecteur infusion/vidange (BREW/DRAIN) à l'arrière de la cafetière en position vidange (DRAIN). Le voyant vert de vidange clignotera pour vous indiquer que vous pouvez commencer à vidanger la cafetière.

4. Appuyez sur le bouton de vidange (DRAIN BREWER) et maintenez-le enfoncé. L'eau commencera à s'écouler de l'évent dans le réservoir d'eau. Elle continuera de couler tant que le bouton sera enfoncé et ne s'arrêtera que lorsque vous aurez relâché le bouton de vidange (DRAIN BREWER). **ATTENTION :** L'eau peut être très chaude!

REMARQUE : Le processus de vidange du réservoir d'eau chaude à partir du mode repos dure environ une minute.

5. Relâchez le bouton de vidange (DRAIN BREWER) quand l'eau arrête de s'écouler. Le réservoir interne d'eau chaude de la cafetière est maintenant vide.
6. Tournez le sélecteur en position infusion (BREW) et éteignez la cafetière.

Préparer de l'eau chaude

Votre cafetière peut préparer une tasse d'eau chaude pour un chocolat chaud ou une soupe, pour cuisiner, etc. Il suffit de soulever et de rabaisser la poignée sans insérer de godet K-Cup^{MC}. Le voyant bleu d'infusion clignotera. Assurez-vous d'avoir placé une tasse sur le plateau à tasse. Sélectionnez un format et appuyez ensuite sur le bouton d'infusion.

SECTION 2 COMMANDES ET VOYANTS

Afficheur de messages à DEL

Activer la fonction de minuterie d'arrêt automatique

Pour régler la cafetière afin qu'elle s'arrête deux heures après la dernière infusion.

- a. Appuyez sur le bouton de mise en marche (POWER) pour allumer la cafetière.
- b. Pour activer la minuterie d'arrêt automatique, appuyez sur le bouton noir d'arrêt automatique (AUTO OFF) situé au-dessus du bouton de mise en marche (POWER). Le voyant vert à côté du bouton d'arrêt automatique (AUTO-OFF) s'allumera. Lorsque la minuterie d'arrêt automatique est activée, votre cafetière s'arrête automatiquement deux heures après la dernière infusion.
- c. Pour désactiver la minuterie d'arrêt automatique, appuyez simplement de nouveau sur le bouton noir et le voyant vert d'arrêt automatique (AUTO OFF) s'éteindra.

SECTION 3

NETTOYAGE ET ENTRETIEN

Nettoyage des pièces

Il est recommandé de nettoyer régulièrement les éléments externes de la cafetière.

1. Ne plongez jamais la base de l'appareil dans l'eau ni dans un autre liquide. Le boîtier et les éléments externes de la cafetière peuvent être nettoyés à l'aide d'un chiffon non abrasif et d'eau savonneuse.

2. La cuvette d'égouttage peut recueillir jusqu'à 237 ml (8 oz) de liquide. La cuvette d'égouttage et le plateau à tasse doivent être vidés et rincés régulièrement. Pour enlever la cuvette d'égouttage et le plateau à tasse, tirez-les simplement vers vous en prenant soin de toujours les garder à l'horizontale pour éviter que le contenu de la cuvette d'égouttage ne se renverse. Le plateau à tasse et la cuvette d'égouttage peuvent être mis au lave-vaisselle.

Nettoyage de l'assemblage du support à godet K-Cup^{MC}

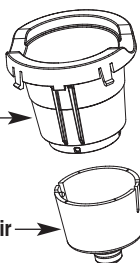
1. Nettoyage des pièces

L'assemblage du support à K-Cup^{MC} peut être mis au lave-vaisselle. Pour l'enlever de la cafetière, ouvrez le couvercle en soulevant la poignée. Saisissez le dessus du support à K-Cup^{MC} d'une main et poussez vers le haut sur le fond du support à K-Cup^{MC} de l'autre main jusqu'à ce qu'il se libère. Après le nettoyage, enlevez le support à K-Cup^{MC} avec l'ouverture en vous guidant sur les deux entailles à l'avant et enclenchez-le en place.

Assemblage du support à K-Cup

Support à K-Cup

Entonnoir



2. Nettoyage de l'entonnoir

L'entonnoir peut être enlevé du support à K-Cup^{MC} en tirant dessus jusqu'à ce qu'il se déclenche et peut être mis au lave-vaisselle. Pour le remettre en place, il suffit de l'enclencher dans l'assemblage du support à K-Cup^{MC}.

3. Nettoyage de l'aiguille de sortie

L'aiguille de sortie se trouve au fond de l'assemblage du support à K-Cup. Si des grains de café l'obstruent, elle peut être nettoyée à l'aide d'une trombone ou d'un instrument similaire. Retirez le support à K-Cup^{MC} et insérez la trombone dans l'aiguille de sortie pour le nettoyer et retirer ce qui l'obstrue. Le support à K-Cup^{MC} peut être mis au lave-vaisselle.

ATTENTION : Les parties inférieure et supérieure du support à K-Cup sont munies d'aiguilles pointues servant à perforer la K-Cup. Pour éviter tout risque de blessure, ne pas mettre les doigts dans le compartiment de la K-Cup.

Nettoyage du réservoir d'eau et de son couvercle

Le couvercle du réservoir d'eau doit être nettoyé à l'aide d'un chiffon non abrasif et d'eau savonneuse. Il ne doit pas être mis au lave-vaisselle.

Le réservoir d'eau peut être mis au lave-vaisselle ou nettoyé dans de l'eau savonneuse et rincé à fond.

Ne séchez pas l'intérieur du réservoir d'eau à l'aide d'un chiffon car des peluches pourraient y rester.

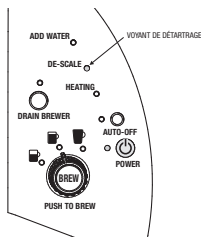
ATTENTION : Veuillez rincer le réservoir d'eau à fond après le nettoyage pour vous assurer qu'aucune solution nettoyante ne reste à l'intérieur, car celle-ci pourrait contaminer l'eau du réservoir.

Détartrage de votre cafetière

La teneur en minéraux et en chlore de l'eau varie d'un endroit à un autre. Selon la teneur en minéraux de l'eau de votre région, il peut y avoir accumulation de dépôts calcaires ou de tartre dans votre cafetière. Le tartre n'est pas toxique, mais s'il n'est pas enlevé, il peut nuire au bon fonctionnement de votre cafetière. Le détartrage de votre cafetière aide à garder l'élément de chauffage et les autres pièces internes qui touchent l'eau en bon état.

Pour assurer son fonctionnement optimal, la cafetière devrait subir un détartrage tous les six mois. Cependant, il arrive que le tartre s'accumule plus rapidement; il est alors nécessaire de procéder plus souvent au détartrage.

Cette cafetière est munie de capteurs qui détectent le moment où le tartre risque de nuire au bon fonctionnement de la cafetière. Lorsque c'est le cas, le voyant de détartrage (DE-SCALE) orange s'allume.



REMARQUE : La cafetière continue de fonctionner même lorsque le voyant de détartrage (DE-SCALE) orange est allumé. **Cependant, si un détartrage n'est pas effectué rapidement lorsque le message s'affiche, le tartre qui continuera à s'accumuler pourrait endommager la cafetière.** Dans ce cas, le voyant de détartrage (DE-SCALE) orange commencera à clignoter pour vous avertir que des dommages pourraient être causés à la cafetière si vous ne procédez pas immédiatement à un détartrage.

Lorsque le voyant de détartrage (DE-SCALE) de l'afficheur de messages DEL s'allume, vous devez procéder rapidement au détartrage en suivant les étapes ci-dessous.

Détartrage

a. PRÉPARATION

1^{re} étape : Assurez-vous d'avoir au moins 1,4 litre (48 oz) de vinaigre blanc non dilué. Vous aurez également besoin d'un évier vide et d'une tasse en céramique (ne pas utiliser de gobelet en papier).

2^e étape : Videz l'eau du réservoir.

b. REMPLISSAGE ET NETTOYAGE

1^{re} étape : Remplissez le réservoir de vinaigre blanc jusqu'à la ligne juste en dessous de la limite supérieure de la fenêtre translucide.

2^e étape : Placez une tasse de céramique sur le plateau à tasse et effectuez une infusion. **SANS INSÉRER DE GODET K-Cup^{MC}**, appuyez sur le bouton d'infusion (BREW). Jetez ensuite le contenu de la tasse dans l'évier.

3^e étape : Répétez le processus d'infusion jusqu'à ce que le voyant DEL Ajouter de l'eau (ADD WATER) s'allume et que le réservoir d'eau soit vide, en jetant chaque fois le contenu de la tasse dans l'évier. Pour accélérer le processus, nous vous recommandons de choisir le plus grand format de tasse. N'oubliez pas d'ouvrir et de refermer le couvercle entre chaque cycle de façon à ce que le voyant d'infusion bleu clignote.

4^e étape : Rincez le réservoir d'eau à fond et remplissez-le d'eau fraîche.

5^e étape : Laissez ensuite la cafetière reposer en marche pendant 4 heures. (La minuterie automatique ne doit pas être activée).

c. RINÇAGE

1^{re} étape : Effectuez maintenant une vidange.

2^e étape : Videz et remplissez à nouveau le réservoir d'eau fraîche.

3^e étape : Effectuez un nouveau cycle de préparation et remplissez encore une fois le réservoir.

4^e étape : Placez une tasse de céramique sur le plateau à tasse et effectuez une infusion ordinaire sans K-Cup^{MC}. Jetez ensuite le contenu de la tasse dans l'évier. (N'oubliez pas qu'il reste encore du vinaigre dans le réservoir d'eau chaude.)

5^e étape : Répétez le processus d'infusion sans K-Cup^{MC} jusqu'à ce que le réservoir soit vide, en jetant chaque fois le contenu de la tasse. Pour accélérer le processus, nous vous recommandons de choisir le plus grand format de tasse. N'oubliez pas d'ouvrir et de refermer le couvercle entre chaque cycle de façon à ce que le voyant d'infusion bleu clignote.

6^e étape : Vous devrez peut-être effectuer des cycles de rinçage supplémentaires si vous décelez un goût résiduel de vinaigre.

REMARQUE : Si le voyant de détartrage (DE-SCALE) orange de l'afficheur de messages à DEL reste allumé une fois la procédure terminée, répétez les étapes de détartrage ci-dessous.

Entreposage

Videz le réservoir d'eau et vidangez la cafetière avant de l'entreposer dans un endroit à l'abri du froid. Il est suggéré d'entreposer la cafetière en position verticale. Si vous entreposez votre cafetière dans un lieu trop froid, l'eau à l'intérieur de la cafetière risque de geler et d'endommager l'appareil. Avant de réutiliser la cafetière, nous vous recommandons de remplir de réservoir d'eau fraîche et d'effectuer trois cycles de rinçage sans K-Cup^{MC}.

Si vous prévoyez transporter votre cafetière dans un autre endroit, éteignez-la, débranchez-la, videz le réservoir d'eau et vidangez la cafetière. Si la cafetière a été placée dans un endroit où la température était sous le point de congélation, laissez-la au moins deux heures à la température ambiante avant de l'utiliser. Si vous prévoyez placer la cafetière dans un endroit où la température est sous le point de congélation, le réservoir d'eau chaude devrait être vidangé (voir Section 1, page 15).

SECTION 4

DÉPANNAGE

PROBLÈME

SOLUTION

La cafetière ne fonctionne pas

- Branchez la cafetière séparément.
- Vérifiez que la cafetière est bien branchée.
- Branchez la cafetière dans une autre prise.
- Réenclenchez le disjoncteur au besoin.
- Assurez-vous que le bouton de mise en marche (POWER) a été actionné et que le voyant est allumé.

La cafetière n'infuse pas lorsqu'on l'utilise pour la première fois

- Vous devez effectuer un cycle de préparation pour remplir le réservoir interne d'eau chaude avant la première infusion. Tous les voyants de format de l'afficheur de messages à DEL clignoteront. (Voir la page 17)
- Le sélecteur infusion/vidange (BREW/DRAIN) doit être en position infusion (BREW).
- Si la cafetière est froide/gelée, attendez deux heures pour qu'elle atteigne la température ambiante avant de la remettre en marche.

La cafetière n'infuse pas

- Le sélecteur infusion/vidange (BREW/DRAIN) doit être en position infusion.
- Après avoir placé un godet K-Cup^{MC} dans le support à K-Cup, assurez-vous que la poignée est complètement abaissée et que le bouton d'infusion (BREW) bleu rétroéclairé de l'afficheur de messages à DEL clignote.
- Si le voyant bleu Ajouter de l'eau (ADD WATER) de l'afficheur de messages à DEL est allumé, versez de l'eau dans le réservoir ou assurez-vous que le réservoir est bien installé sur sa base.
- Si le voyant bleu Ajouter de l'eau (ADD WATER) de l'afficheur de messages à DEL reste allumé après le remplissage, communiquez avec le Service à la clientèle au 1 888 287-2739.

La cafetière n'infuse pas complètement

- L'aiguille de sortie est peut-être obstruée (voir la page 20).
- Nettoyez le support à K-Cup si nécessaire et rincez-le sous le robinet (voir la page 20).
- Le réservoir d'eau a peut-être été enlevé pendant l'infusion. Remplacez le réservoir d'eau et effectuez une infusion de nettoyage.
- Si le voyant orange 'DE-SCALE' (DÉTARTRAGE) est allumé, vous devez procéder au détartrage de la cafetière.
- Si vous avez effectué le détartrage deux fois et que le message continue à être affiché, communiquez avec le service à la clientèle au 1 888 287-2739.

La cafetière s'éteint automatiquement

- Assurez-vous que la minuterie d'arrêt automatique n'est pas activée. Si le voyant vert à côté de 'AUTO OFF' (ARRÊT AUTOMATIQUE) de l'afficheur de messages DEL est allumé, appuyez sur le bouton noir pour désactiver la fonction d'arrêt automatique.

Remarques concernant le processus de vidange

- Si le sélecteur d'infusion/vidange (BREW/DRAIN) est actionné durant un cycle d'infusion, l'infusion s'arrête automatiquement. Reprise : Le cycle d'infusion qui suit peut produire une quantité inexacte. Procédez alors à une infusion sans K-Cup^{MC}. La prochaine tasse sera infusée dans le format sélectionné.
- Le sélecteur infusion/vidange (BREW/DRAIN) est mis en position vidange (DRAIN) puis remis en position infusion (BREW) : la cafetière est intelligente et sait si le bouton de vidange (DRAIN BREWER) a été enfoncé. Si le bouton n'a pas été enfoncé, il ne sera pas nécessaire d'effectuer un cycle de préparation lorsque le sélecteur sera remis en position infusion (BREW).
- Le sélecteur infusion/vidange (BREW/DRAIN) est mis en position vidange (DRAIN) et le bouton de vidange (DRAIN BREWER) est enfoncé, mais le réservoir n'est pas vidé. Pour infuser à nouveau, vous devrez effectuer un cycle de préparation puis une infusion de nettoyage.

SECTION 5

GARANTIE

Keurig garantit que chaque cafetière B140 est exempte de tout défaut de pièces ou de fabrication, sous réserve d'une utilisation normale, pendant un an à partir de la date d'achat. Keurig réparera ou remplacera, à son choix, la cafetière défectueuse sans frais à la réception d'une preuve de la date d'achat. Si la cafetière doit être remplacée durant la période de garantie, la cafetière de rechange bénéficiera du reste de la période de garantie du produit original. Keurig paiera tous les frais d'expédition pour les retours autorisés.

La présente garantie ne s'applique qu'aux cafetières utilisées au Canada et aux États-Unis. La présente garantie vous confère des droits légaux précis et il se peut que vous bénéficiez d'autres droits qui peuvent varier d'une province à l'autre, et, dans le cas des États-Unis, d'un État à l'autre.

Qu'est-ce qui n'est pas couvert par la garantie limitée?

LA PRÉSENTE GARANTIE NE COUVRE PAS LES DOMMAGES INDIRECTS, TELS QUE LES DOMMAGES MATÉRIELS, NI LES FRAIS ET LES COÛTS CAUSÉS PAR UNE VIOLATION DE LA GARANTIE, MÊME S'ILS SONT PRÉVISIBLES. Certaines provinces ou certains États n'autorisent pas l'exclusion ou la limitation de dommages indirects. Par conséquent, selon la province ou de l'État où vous avez acheté la cafetière, les exclusions ou les limitations susmentionnées peuvent ne pas s'appliquer à vous.

La présente garantie ne s'applique pas non plus aux dommages causés par des réparations effectuées par d'autres personnes que le personnel de Keurig ou l'un de ses fournisseurs de services autorisés; l'utilisation de pièces autres que les pièces d'origine Keurig; des causes externes, telles qu'un abus, une mauvaise utilisation, une mauvaise alimentation en électricité ou des catastrophes naturelles.

Autres limitations

LA PRÉSENTE GARANTIE EST EXCLUSIVE ET TIENT LIEU DE TOUT AUTRE GARANTIE EXPRESSE, ORALE OU ÉCRITE. LA DURÉE DE TOUTE GARANTIE IMPLICITE, Y COMPRIS MAIS NON DE FAÇON LIMITATIVE TOUTE GARANTIE IMPLICITE DE COMMERCIALITÉ OU D'ADAPTATION À DES FINS PARTICULIÈRES, EST FORMELLEMENT LIMITÉE À LA PÉRIODE DE LA PRÉSENTE GARANTIE LIMITÉE.

Certaines provinces et certains États n'autorisent pas les limitations concernant la durée des garanties implicites et les limitations susmentionnées peuvent ne pas s'appliquer à vous, selon la province ou l'État où vous avez acheté la cafetière.

Comment faire honorer la garantie?

Les cafetières Keurig sont des appareils de qualité supérieure qui, lorsqu'ils sont utilisés adéquatement, sont conçus pour durer plusieurs années. Si toutefois vous deviez avoir recours à des réparations couvertes par la garantie, il vous suffit d'appeler au Service à la clientèle de Keurig en composant le numéro sans frais 1 888 287-2739. Avant de retourner votre cafetière pour la faire réparer, vous devez d'abord communiquer avec un représentant du Service à la clientèle de Keurig pour obtenir un numéro d'autorisation de retour (ATR). Toute cafetière envoyée sans numéro d'autorisation de retour sera retournée à l'expéditeur sans avoir été réparée.

Keurig, Incorporated
55 Walkers Brook Drive
Reading, MA 01867
1-888-287-2739



COFFEE DISTRIBUTING CORP.

www.cdccoffee.com



KEURIG[®]
Premium Coffee Systems

Made in China

Keurig, Keurig Brewed, Brewing Excellence One Cup at a Time, and K-Cup are trademarks or registered trademarks of Keurig, Incorporated.

All other trademarks used herein are the property of their respective owners.

Toutes les autres marques de commerce utilisées dans le présent guide sont la propriété de leur propriétaires respectifs.

© 2006 Keurig, Incorporated

All rights reserved. Tous droits réservés.

TO CONTACT CUSTOMER SERVICE:

www.keurig.com

or

1-888-CUP-BREW (287-2739)



For Commercial Use Only

Covered by US Patents

D513,572, D544,299 & 7,165,488

© KEURIG INCORPORATED

Part #: 60-200720-000

Revision E, November 2007